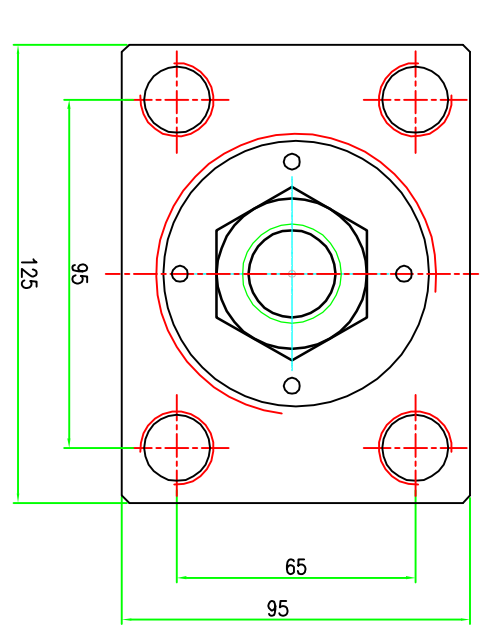
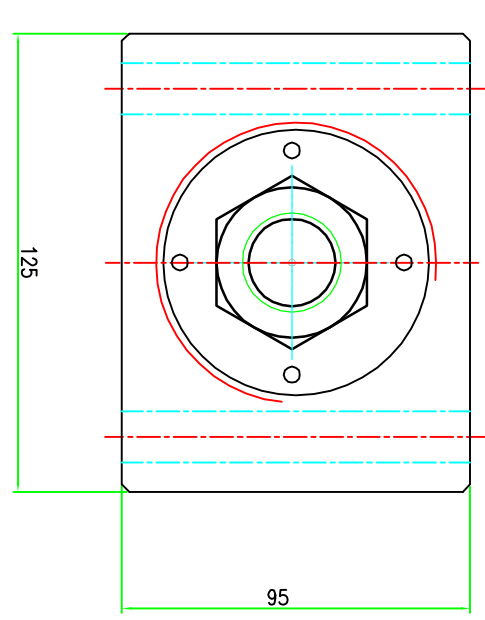
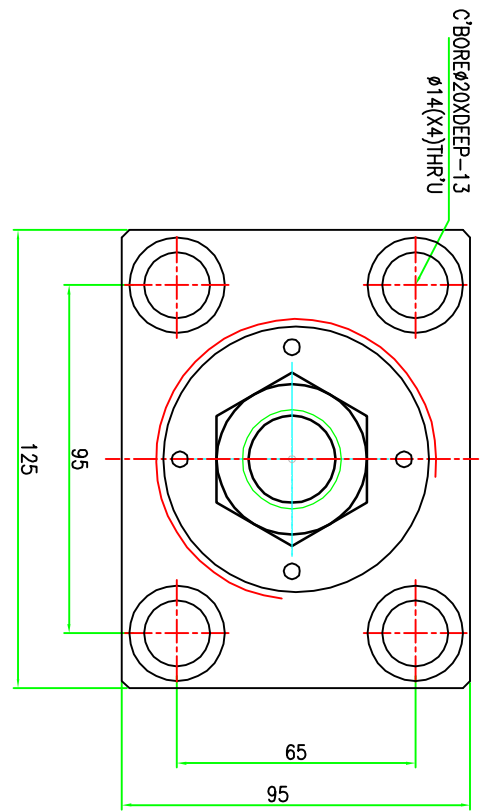
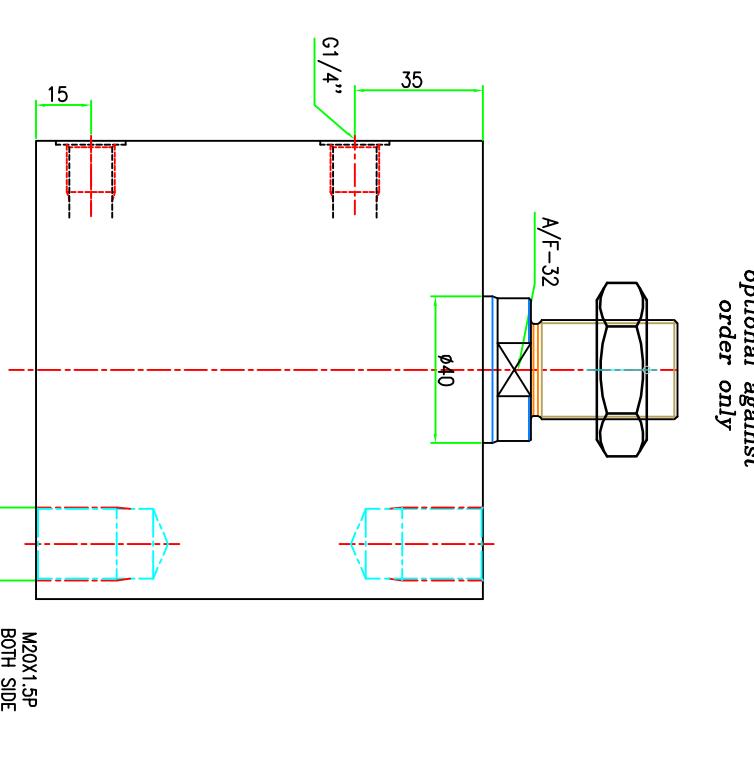
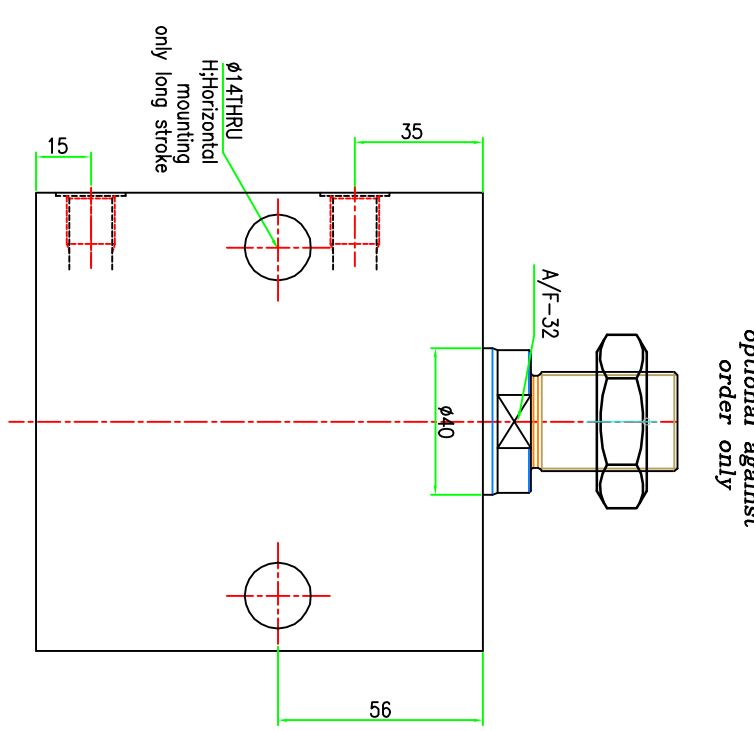
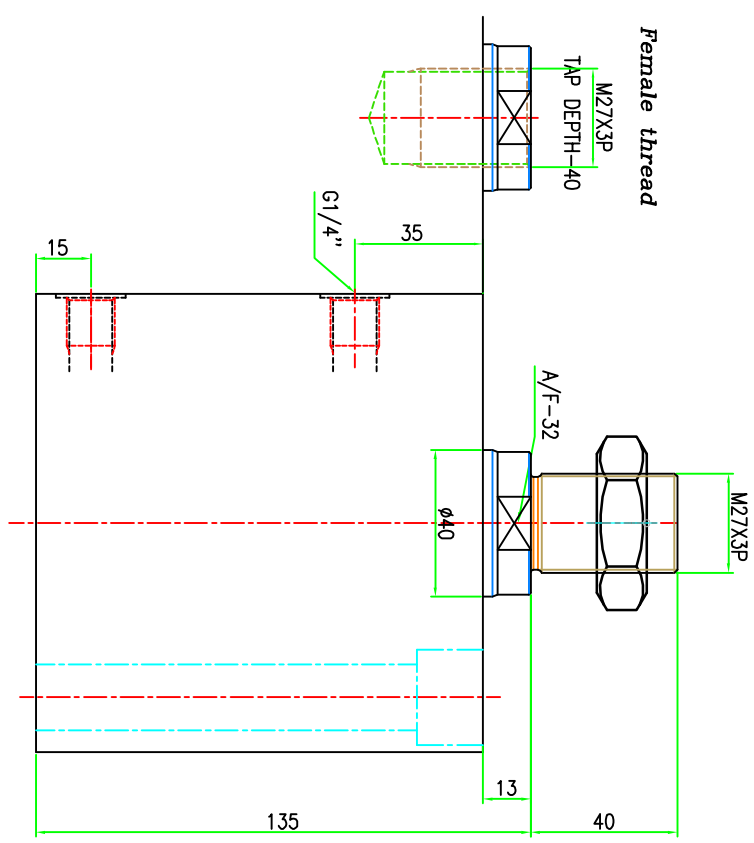


LONG STROKE (L)



**Model NO-Male thread-A31311**  
**Female thread-A31312**

**Specification:-**  
 Type : Double acting hydraulic cylinder.  
 Bore dia = 63 mm, rod dia = 40 mm  
 Stroke = 50 mm  
 Long stroke 50mm. Shorter strokes are obtained by adding Spacers.  
 Operating pressure : max 250 bar/min 10 bar Medium  
 :Hydraulic oil (servo system HLP46/HLP68)

- 1.0 GENERAL
- 1.1 ALL DIMENSIONS ARE IN MM.
- 1.2 DO NOT SCALE THE DRG.IF IN DOUBT ASK.
- 1.3 SUBJECT TO CHANGE FOR IMPROVEMENT.

REVISION				
ZONE	REV	FRDM	TD	DATE

SURFACE FINISH		GENERAL TOLERANCES WHERE NOT SPECIFIED		ANGULAR-LENGTH IN MM OF SHORT SIDE OF ∠	
Ra value μm	Symbol	Symbol	Symbol	Symbol	Symbol
0.025	▽▽▽	0.1	▽	6	6
0.05	▽▽	0.2	▽	6	6
0.1	▽	0.4	▽	6	6
0.2	▽	0.8	▽	6	6
0.4	▽	1.6	▽	6	6
0.8	▽	3.2	▽	6	6
1.6	▽	6.3	▽	6	6
3.2	▽	12.5	▽	6	6
6.3	▽	25	▽	6	6
12.5	▽	50	▽	6	6
25	▽	100	▽	6	6

LINEAR - LENGTH OR DIAMETER		ANGULAR-LENGTH IN MM OF SHORT SIDE OF ∠	
Symbol	Symbol	Symbol	Symbol
0.5-6	±0.1	6-30	±0.1
6-30	±0.2	30-120	±0.2
30-120	±0.3	120-315	±0.3
120-315	±0.5	315-1000	±0.5
315-1000	±0.8	1000-2000	±1.2
1000-2000	±1.2	UPTO 6	±1'
UPTO 6	±1'	6-30	±30'
6-30	±30'	30-120	±20'
30-120	±20'	120-400	±10'
120-400	±10'		

SCALE: 1:1

DESIGN	TIRUMAL	DATE	22.08.08
DRAWN	TIRUMAL	DATE	22.08.08
CHECKED			
APPROVED			

TITLE: **BLOCK CYLINDER DOUBLE ACTING**

MATERIAL: XXX

GROUP NO: -

SUPERSEDED BY: -

DRAWING NO: -

QUICLOC PVT LTD B'lore - 70

SHEET NO: 1 OF: 1